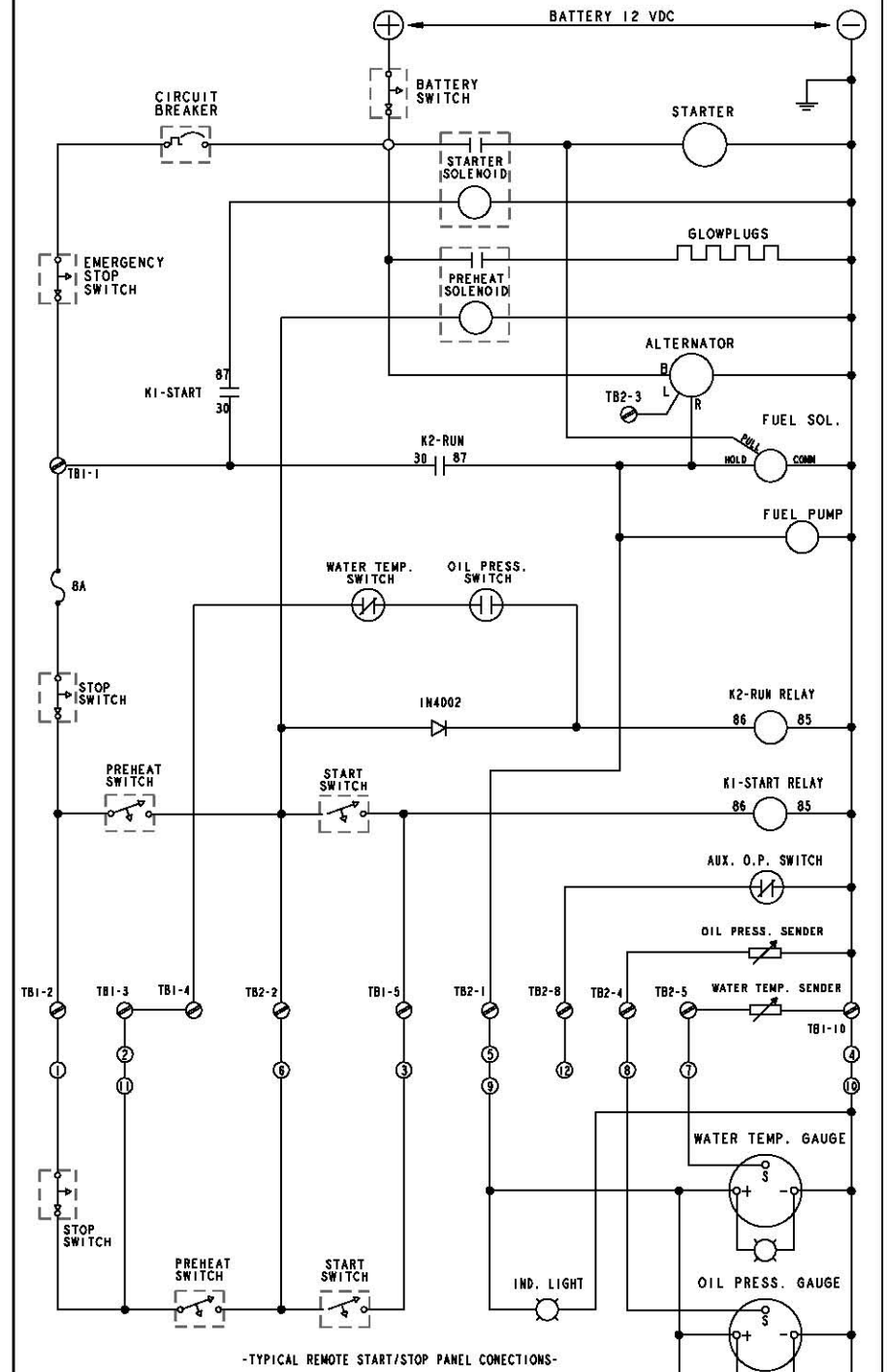
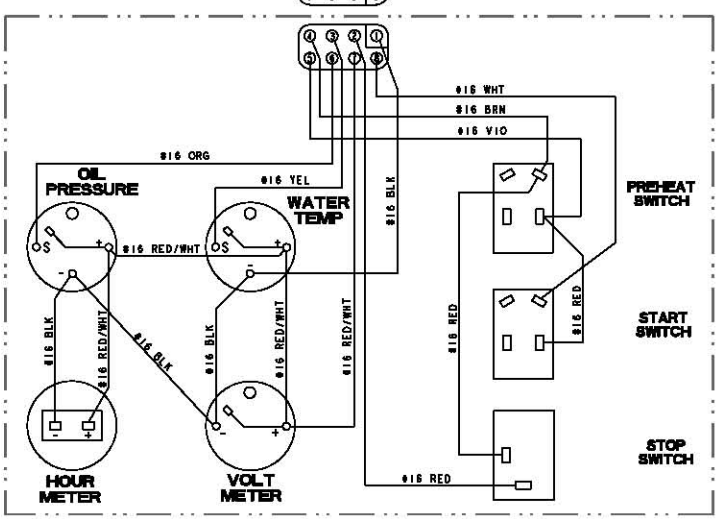
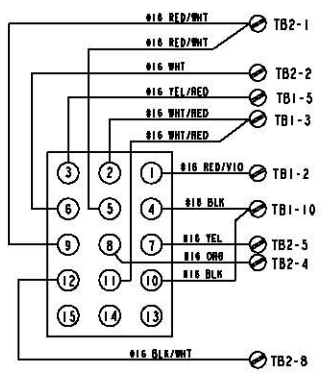


NOTE:
1. REMOVE JUMPER WHEN CONNECTING A SECOND REMOTE PANEL.



NOTE:
○ REMOTE CONNECTOR PINS

TOLERANCES		WESTERBEKE CORPORATION AVON MA. 02322	
INCHES	MILLIMETERS	TITLE	
±.0005	±.0127	WIRING DIAGRAM/SCHEMATIC, 7.6 BTDR - SRC	
±.0010	±.0254	DATE	REV.
±.0020	±.0508	08/11/90	1
±.0050	±.1270	BY	44743
DIMENSIONS		SCALE NONE	
LINES		SHEET 1 OF 1	

ECO NO.	DATE	REV.	REVISION RECORD	AUTH.	DR. BY